



J051

The Favite® J051“SIT” (Small Item Tag) is a small near-field inlay and optimized general purpose, perfect for ultra compact item level tagging applications where size is of outmost concern or where range must be limited.



Key Features

- Near field reading
- EPC Class 1 Gen 2 / ISO 18000-6C
- Small size
- 96 bits EPC number

RF Features

Operating frequency	860~960MHz
Mode of operation	Passive (battery free)

Electrical Characteristics

Protocol	EPC Class1 Gen2/ISO 18000-6C
Memory	96 bits EPC number

Inlay Material

Antenna	Aluminum
Substrate	PET film

Inlay Roll Format/Finishing

Core inner diameter	76.2mm (3.000")
Core material	Chipboard or Favite approved material
Max roll outer diameter	200mm (7.874")

ESD & Inlay Handling

Human body model	+/- 2KV
------------------	---------

Environmental Specification

Shelf life	2 years @25°C / 60%RH
Temperature limits	Storage: -25°C to +50°C Operating: -50°C to +85°C
Humidity	20% to 90% Non-condensing
RoHS	2011 / 65 / EU compliant

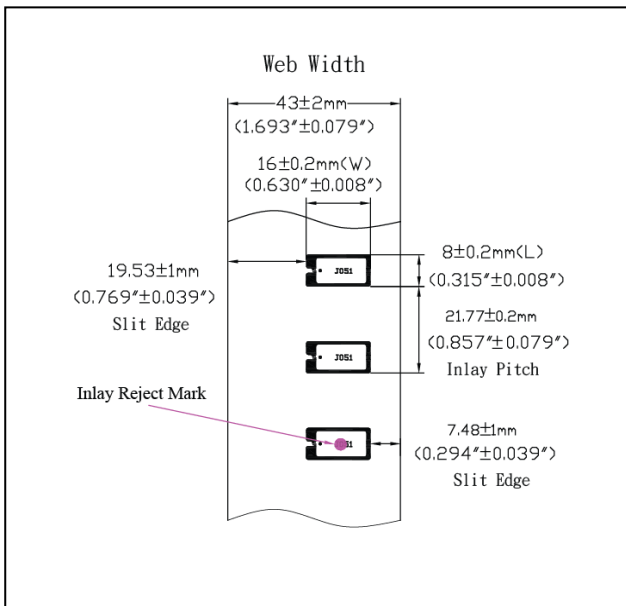
Dry Inlay Specification

Antenna dimension (W x L)	16mm x 8mm 0.630" x 0.315"
Standard pitch	21.77mm 0.857"
Web width	43mm 1.693"
Slit edge	19.53mm 0.769"
Max units per roll	25,000

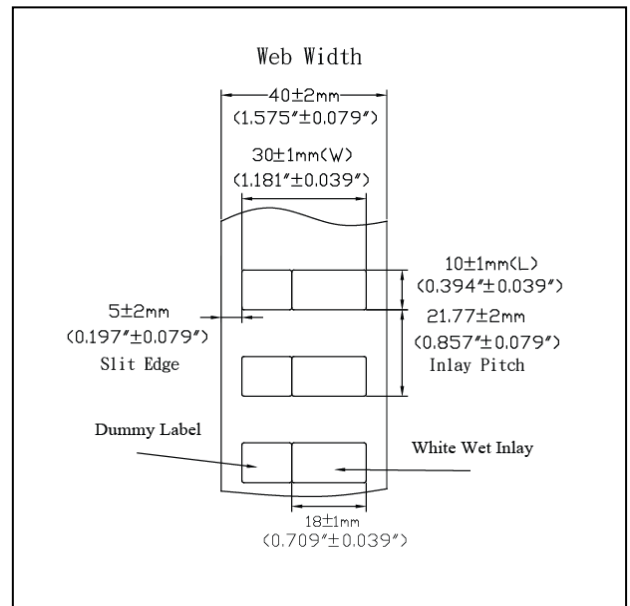
Wet Inlay Specification

Inlay dimension (W x L)	18mm x 10mm 0.709" x 0.394"
Standard pitch	21.77mm 0.857"
Web width	40mm 1.575"
Inlay to liner adhesive	Acrylic adhesive
Liner material	White glassine release paper
Max units per roll	8,000

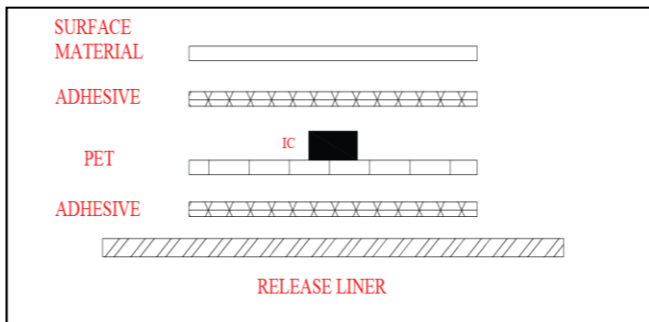
J051 Inlay Roll Dimensions



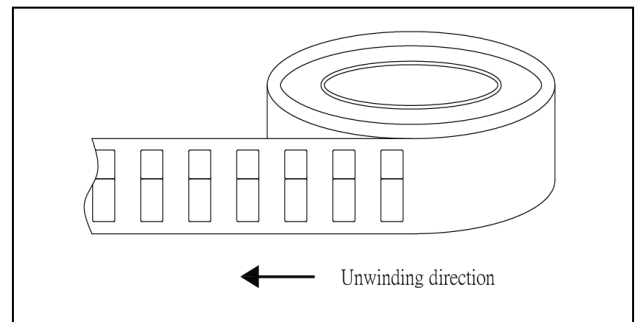
J051 Dry Inlay (IC Face Up)



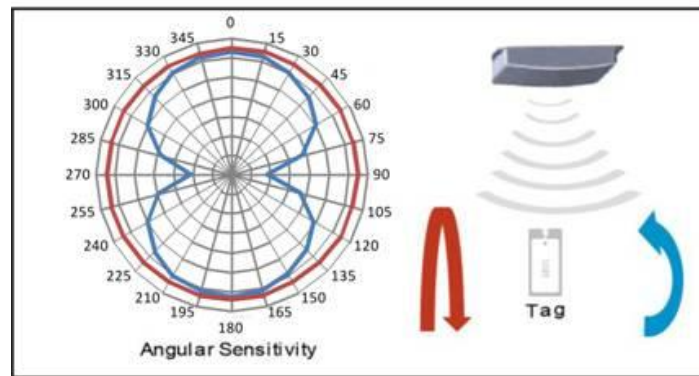
J051 Wet Inlay (IC Face Down)



J051 wet inlay construction



J051 wet inlay orientation



All information has been calculated and derived from transmitters with a 2W ERP output power level. All graphs are for general reference: performance may vary in realistic implementation.

Favite Inc. reserves the right to change its products or services or to discontinue any product or service at any time without prior notice.



Favite Inc. RFID Division Addr: No. 176, Taihe Rd., Jhubei City, Hsinchu County 30267, Taiwan.
 Tel: 886-3-5545988 / Fax: 886-3-5545982 / Website: <http://rfid.favite.com> / E-mail: rfid@favite.com
 2015/07/20