



UHF Brittle Label

Product Specification

The RFID brittle label is optimized for one-time use and anti-counterfeit application like wines management and tobacco management.



Main Features:

- Brittle paper
- One-time use
- EPC Class 1 Gen 2 / ISO 18000-6C compliant
- Customized antenna design for different scenarios

RF Features:

Operating frequency	Global (860-960 MHz)
Mode of operation	Passive (battery free)

Electrical Characteristics:

Protocol	EPC Class 1 Gen2 / ISO 18000-6C
IC chip	Alien H3 or Impinj M4QT

Inlay Material:

Antenna	Aluminum
Surface Material	Brittle paper

Inlay Roll Format/Finishing:

Core inner diameter	76.2mm (3.000")
Core material	Chipboard or Favite approved material
Max roll outer diameter	300 mm (11.811")

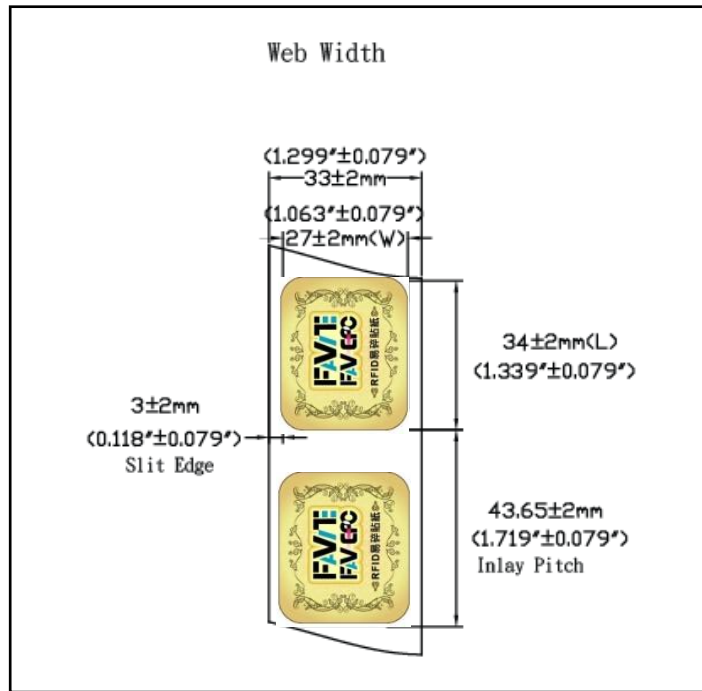
Label Specification:

Inlay dimension (WxL)	34mm x 27mm (1.339" x 1.063")
Standard pitch	43.65mm (1.719")
Web width	33mm (1.299")
Inlay to liner adhesive	Acrylic Emulsion
Liner material	Whit Glassine Paper
Max units per roll	4,000

Environmental Specification:

Shelf life	2 Years @25°C / 60%RH
Temperature Limits	Storage: -20°C to +50°C Operating: -50°C to +85°C
Humidity	20% to 90%RH Non-condensing
RoHs	2011/65/EU Compliant

Inlay Roll Dimensions



Label Structure (IC chip face up)

